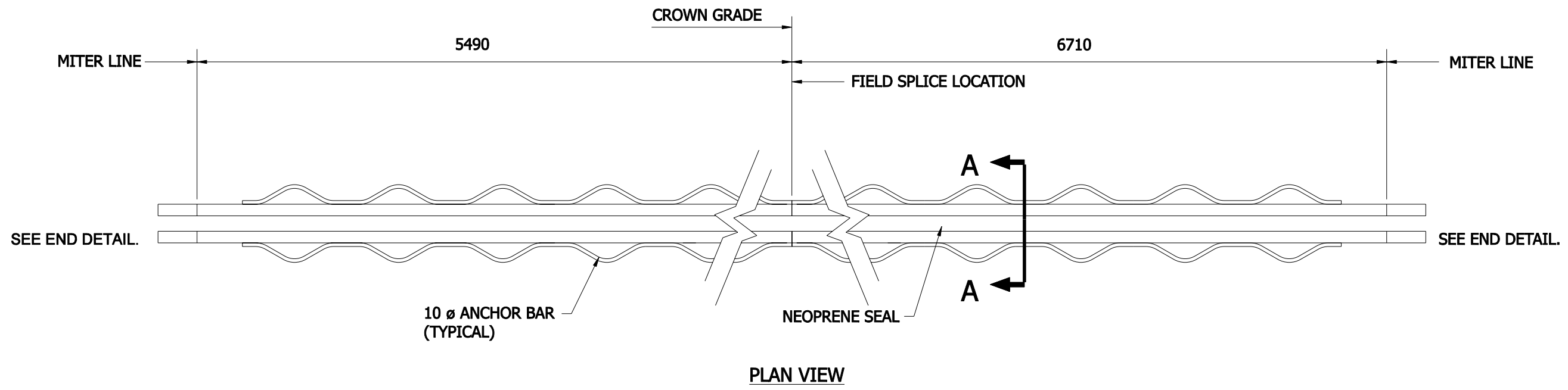


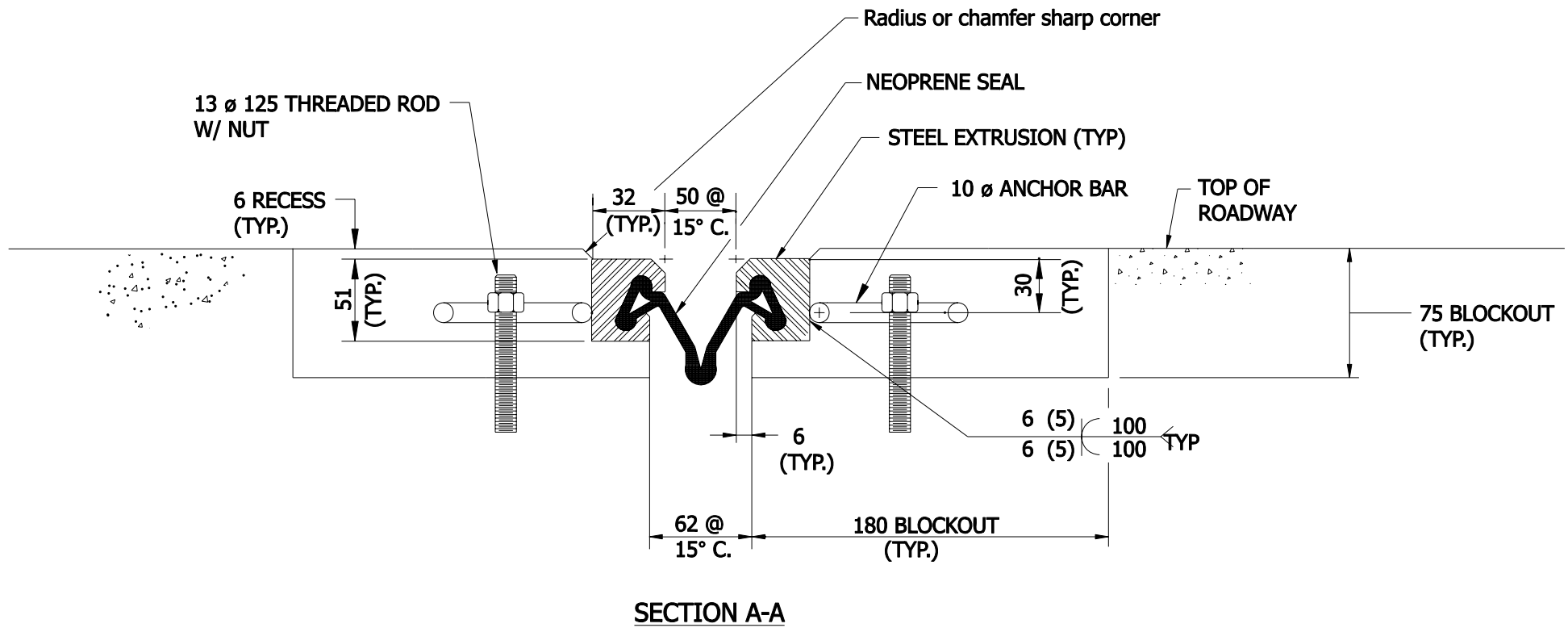
724-B-147D 1



PLAN VIEW

NOTES

1. NO WELD SHALL BE PERMITTED WHERE STEEL EXTRUSION COMES IN CONTACT WITH THE NEOPRENE SEAL.
2. THREADED RODS AND NUTS SHALL BE PLACED IN ACCORDANCE WITH THE JOINT MANUFACTURER'S RECOMMENDATIONS.

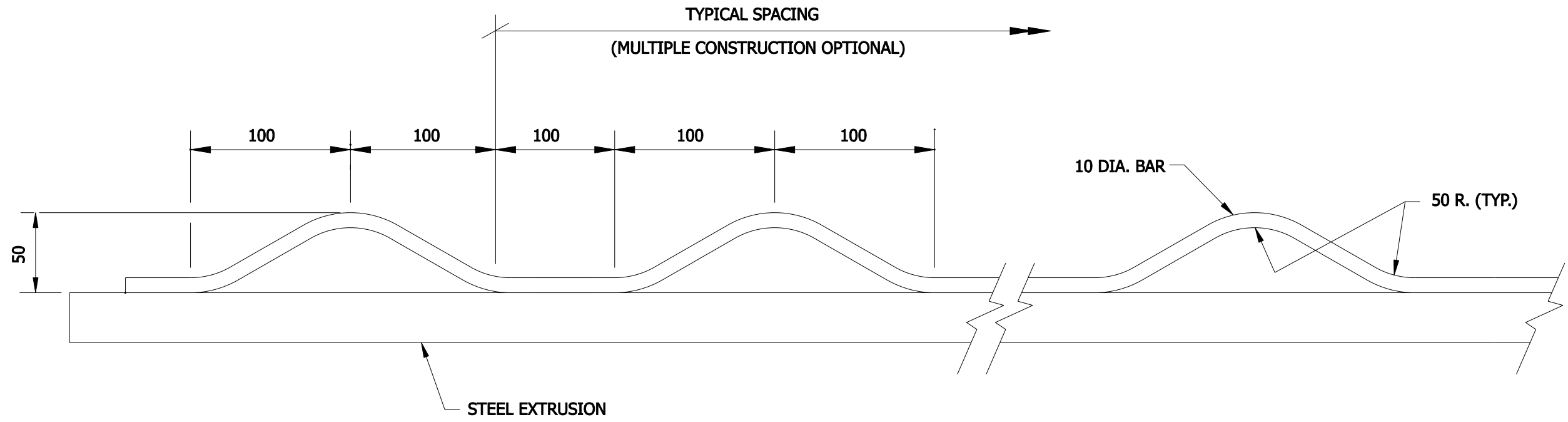


SECTION A-A

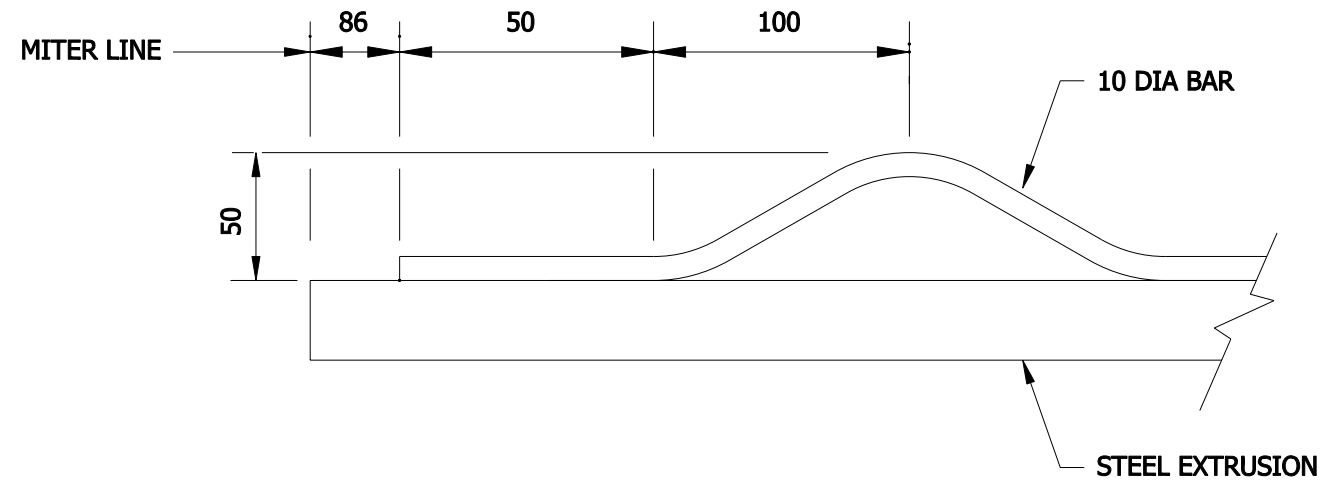
All Dimensions are in mm unless otherwise specified.

INDIANA DEPARTMENT OF TRANSPORTATION
ALTERNATE SS JOINT

1-22-01



ANCHOR BAR DETAIL

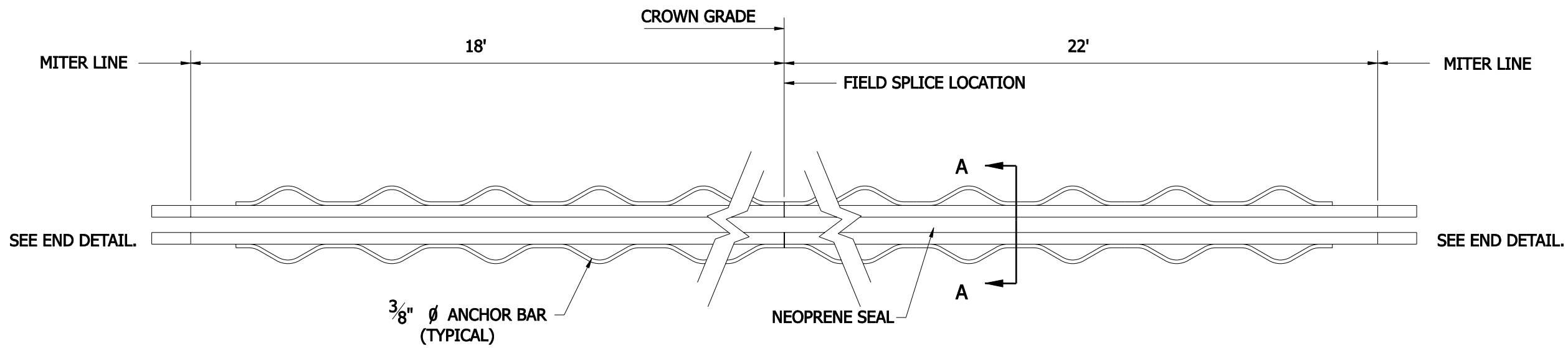


END DETAIL

All Dimensions are in mm unless otherwise specified.

INDIANA DEPARTMENT OF TRANSPORTATION

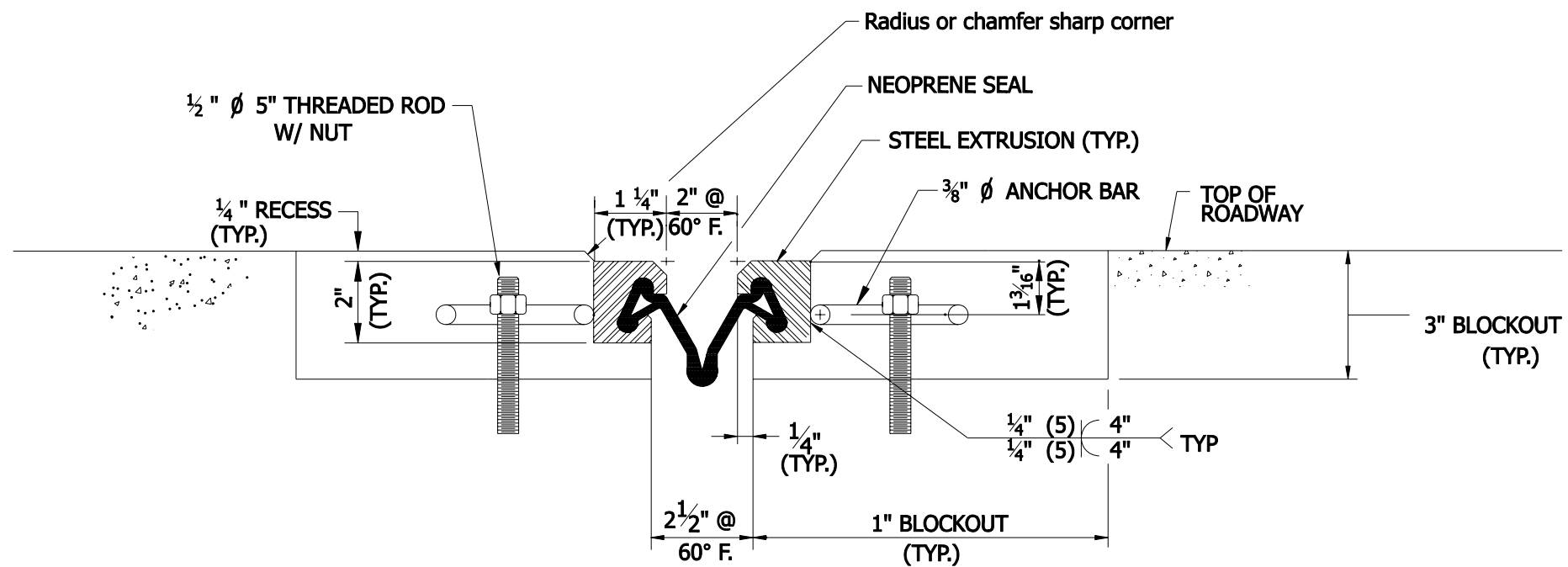
ALTERNATE SS JOINT



PLAN VIEW

NOTES

1. NO WELD SHALL BE PERMITTED WHERE STEEL EXTRUSION COMES IN CONTACT WITH THE NEOPRENE SEAL.
2. THREADED RODS AND NUTS SHALL BE PLACED IN ACORDANCE WITH THE JOINT MANUFACTURER'S RECOMMENDATIONS.

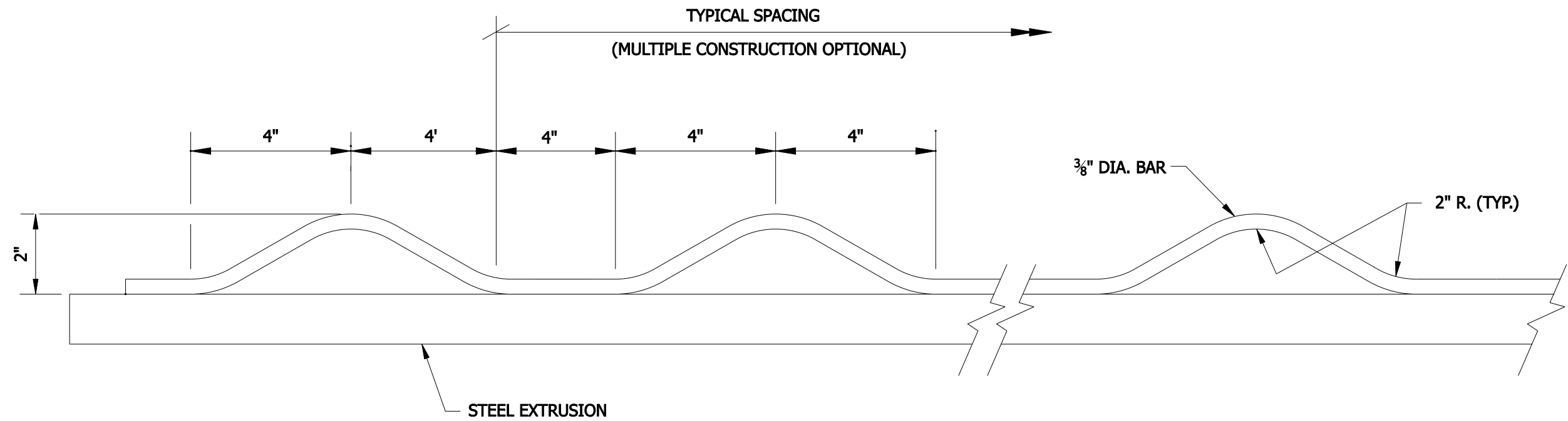


SECTION A-A

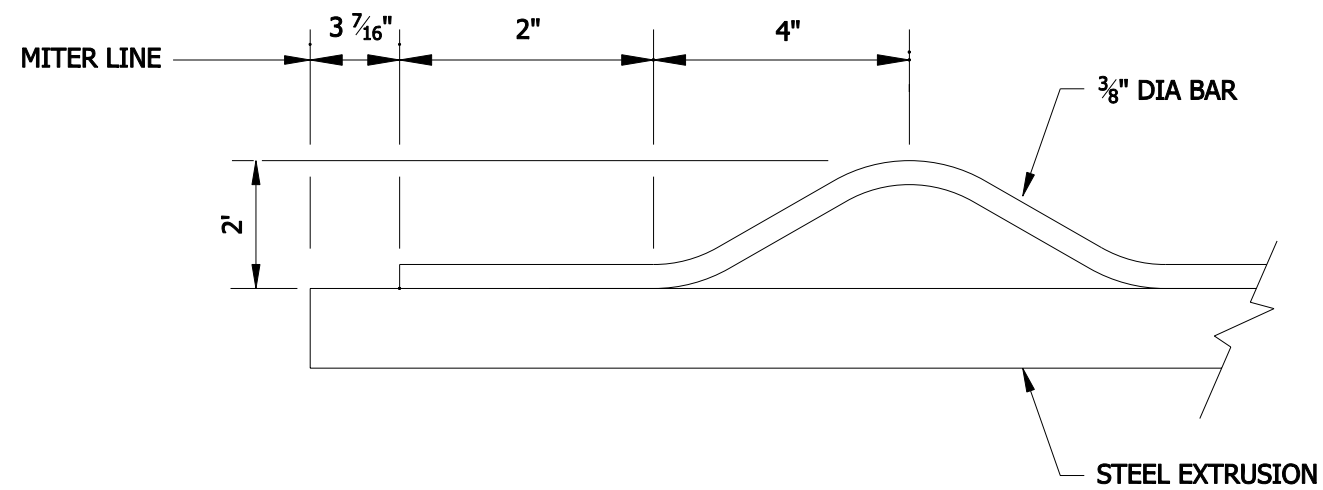
INDIANA DEPARTMENT OF TRANSPORTATION
ALTERNATE SS JOINT

E 724-B-147D 1

1-22-01



ANCHOR BAR DETAIL



END DETAIL

INDIANA DEPARTMENT OF TRANSPORTATION
ALTERNATE SS JOINT